

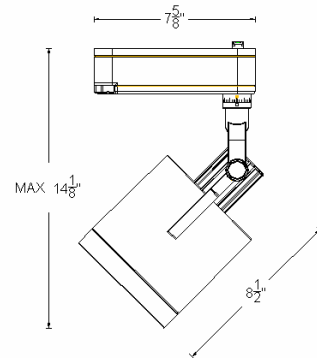
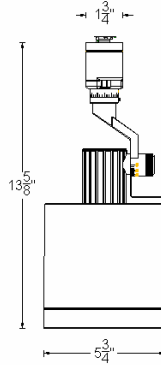


615 South Street  
 Garden City, NY 11530  
 Tel: 866.788.2100 Fax: 516.393.3084  
 www.W2lighting.com

<b>CATALOG NUMBER</b>	<b>TYPE</b>
<b>PROJECT</b>	

**VAMP SPOT – METAL HALIDE TRACK HEAD**

**SERIES HID 206**



**Ordering Matrix**

Model	Beam Spread	Wattage	Finish
<input type="text"/>	<input type="text"/>	<input type="text"/>	<input type="text"/>
JTK-HID206	S =10° N =25° F =40°	39E =35W 70E =70W	BK = Black WT = White PT = Platinum

Ordering Example (Model-Beam Spread-Wattage-Finish) : JTK-HID206S-39E-WT

**Product Details**

**Description:** HID Metal Halide track head using T6 HID lamps. Designed for use on W.A.C. J & J2 tracks. May be used on W2 track with converter. Adaptable to other manufacturer's track. (Consult factory for specific brands).

**Materials:** Die-cast aluminum fixture, cap ring and check ring. Clear 1/8 inch tempered glass lens included.

**Ballast:**

	39W	70W
( Advance ) ANSI # :	M130	M98 / 139
Line Current :	0.38A	0.64A
Input Power :	45W	77W
Input Voltage :	120V	120V
Power Factor :	> 90%	> 90%
Sound Rating :	A	A

**Socket:** Ceramic HID G12

**Aiming:** 350° horizontal rotation and 90° vertical aiming with indexing scales. Spring loaded buttons lock to secure the aiming adjustment on horizontal and vertical axis.

**Lamping:** Re-lamps from the front using T6 HID lamps, Lamp not included.

**Finish:** Powder coat paint finish.  
Available in Black (BK), White (WT), Platinum (PT).

**Listing:** UL & CUL Listed. Patent Pending.

**Specification Features**

- Die-cast aluminum fixture with integral indexing scales to assure precise directional adjustment.
- Threaded lens cap holds up to 4 lenses and accessories securely.
- The track head utilizes the second circuit on the J2 style track with the use of the JCLIP.
- The track head may be used on W2 style track with the use of CV-2T-MH (for 120V).
- 5 year product warranty..

## Track Adaptor Information

**Standard Adaptor**  
For J style  
W2 & W.A.C track



**J2 Adaptor**  
For J2 style  
W2 & W.A.C track



**JCLIP**  
Ordered when using track  
heads on 2<sup>nd</sup> circuit of J2



## Converter Information

**CV-2T-MH** On 120V W2 style track



## Compatible Accessories –USE SIZE 38

• **Dichroic Lens**  
LENS-38-DIC-COLOR

• **UV Filter**  
LENS-38-UVF

• **IR Filter**  
LENS-38-IR

• **UV- IR Filter**  
LENS-38-UI

• **Beam Elongator**  
LENS-38-BEL

• **Beam Soft/Beam Spread Lens**  
LENS-38-BSL / LENS-38-SPR

• **Block Screen**  
LENS-38.3-BS/ LENS-38.4-BS/ LENS-385-BS

• **Hood (for wall-washing)**  
HOOD-38-BK

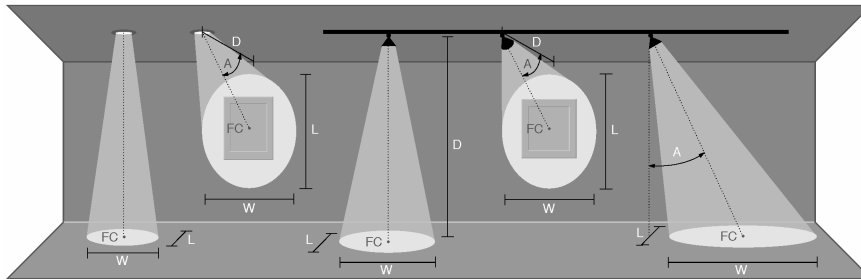
• **Cross Louver**  
LENS-382-CRL

• **Snoot**  
LENS-38-SNOOT

• **Honeycomb Louver**  
LENS-382-HCL

• **Barn Door**  
TL-38-BD

## Photometry

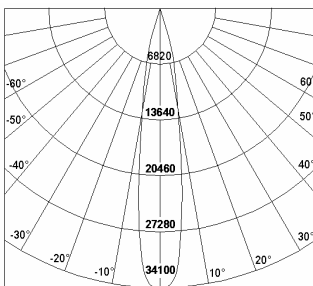


D Distance To Fixture From Wall Or Floor  
FC Initial Footcandle Level At Center Of Beam  
L Beam Length (where candlepower drops to 50% of maximum)  
W Beam Width (where candlepower drops to 50% of maximum)

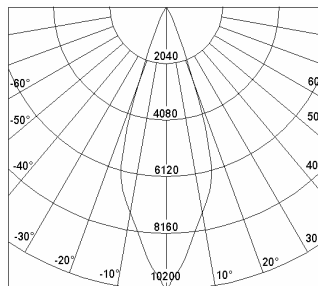
JTK-HID206S-70E			
0° Aiming Angle			
D(ft)	FC	W	L
6	947	1.7	1.7
9	421	2.5	2.5
12	237	3.4	3.4
15	152	4.2	4.2
45° Aiming Angle			
D(ft)	FC	W	L
6	335	2.4	3.4
9	149	3.6	5.2
12	84	4.8	6.9
15	54	6.0	8.6

JTK-HID206N-70E			
0° Aiming Angle			
D(ft)	FC	W	L
6	282	3.8	3.8
9	126	5.7	5.7
12	71	7.6	7.6
15	45	9.5	9.5
45° Aiming Angle			
D(ft)	FC	W	L
6	100	5.4	8.4
9	44	8.0	12.6
12	25	10.7	16.8
15	16	13.4	21.0

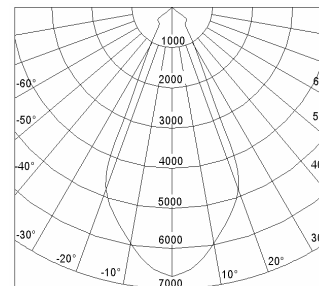
JTK-HID206F-70E			
0° Aiming Angle			
D(ft)	FC	W	L
6	186	4.4	4.4
9	82	6.6	6.6
12	46	8.7	8.7
15	30	10.9	10.9
45° Aiming Angle			
D(ft)	FC	W	L
6	66	6.2	10.1
9	29	9.3	15.1
12	16	12.4	20.1
15	10	15.4	25.2



70W CBCP 34100



70W CBCP10200



70W CBCP 7000